

Specifications

Current Rating: 3Amp
 Insulation Resistance: 1000MΩ Min.
 Dielectric Withstanding: 600V AC/DC
 Contact Resistance: 20mΩ Max.
 Operating Temperature: -40°C to +105°C

Materials

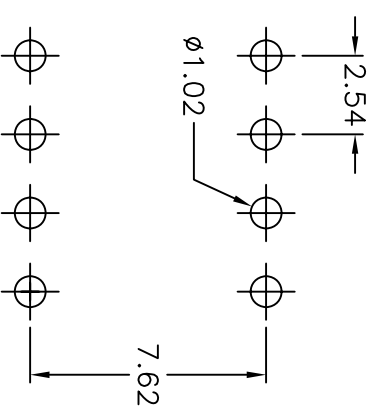
Contact Material: Phosphor Bronze
 Insulation Material: Polyester, UL 94V-0

注: 02~24PIN塑膠材質用P.B.T料生產,
 25~40PIN塑膠材質用PA6T+20%料生產.

ROHS COMPLIANT

Recommended P.C.Board

Hole Layout



Ordering Information

HFNSR6 - XX XX XXX P
 No. of Pins Standard Plating
 Per Row 01=Gold Flash
 02=Gold 3U"
 11=Pln
 X=Select Plating
 Pin Length 001=3, 0/7, 62
 XXX=Select A/W
 Material L=CP
 T=ML6T
 P=PBT

GENERAL TOLERANCE	ANGLE TOLERANCE	DESIGN	DATE
X. ± .X ±0.38 .XX ±0.25 .XXX ±0.13	X°. ±5' X° ±2' XX° ±1' XXX° ±0.5'	Andy2005.08.12	
UNIT:mm	SCALE 1:1	APPRO.	DATE
A4	SHEET: 1 of 1		
FILE NAME (品名)		ELETTE TECHNOLOGY CO., LTD	
PART NO (料号)		億潔得股份有限公司	
DRAWING NO.(图号)		HFNSR6-XXXXXXXP	
		HFISR6-01	
		REV:A0	